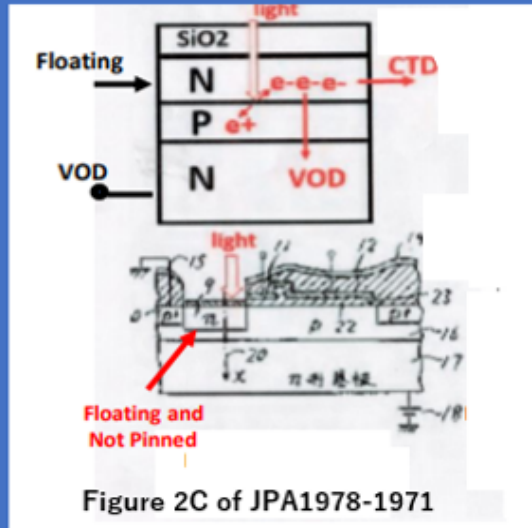


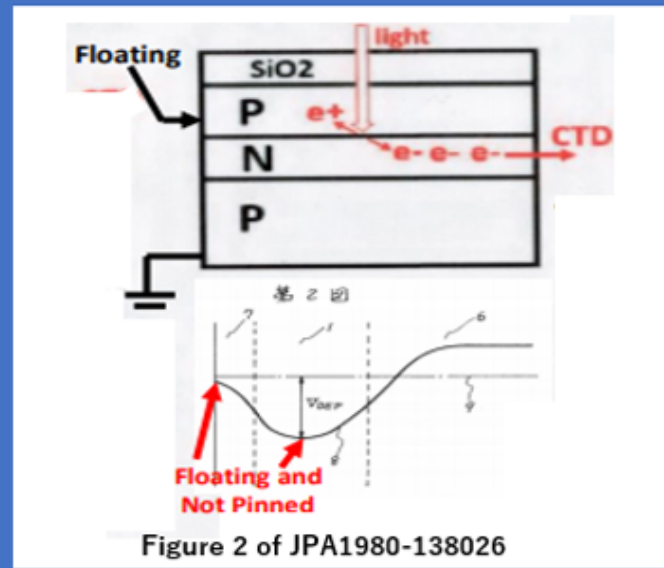
# Story of Pinned Photodiode

(A) Toshiba VOD 1978  
Patent JPA1978-1971



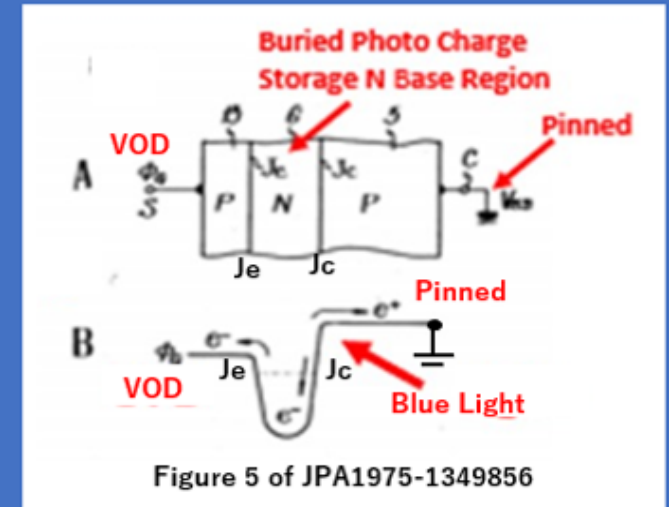
Serious Image Lag

(B) NEC Buried Photodiode  
Patent JPA1980-138026



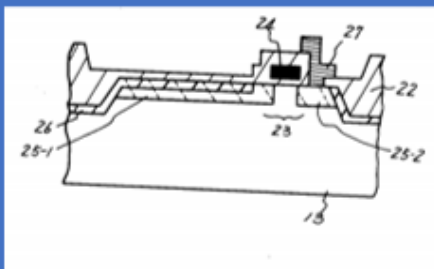
Serious Image Lag

Sony Pinned Buried Photodiode in 1975  
with the in-Pixel VOD function and  
Complete Charge Transfer,  
Excellent Blue Light Sensitivity  
and No-Image-Lag Features.



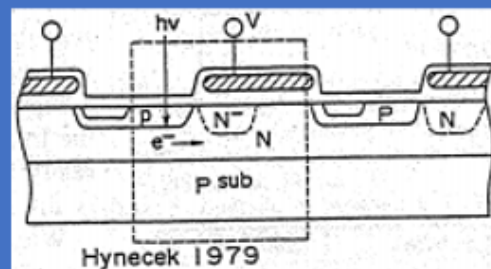
JPA 1975-134985 by Hagiwara in 1975

(C) Hitachi OFD 1977  
Patent JPA1977-837



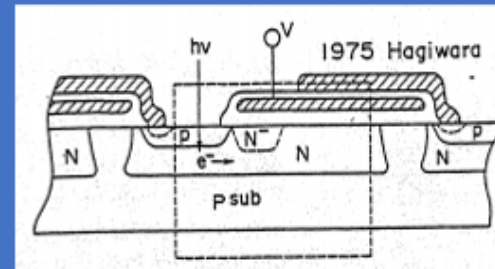
Serious Image Lag

(D) Hyncek 1979



No Image Lag

(E) Hagiwara 1975  
Patent JPA1975-134985



No Image Lag

