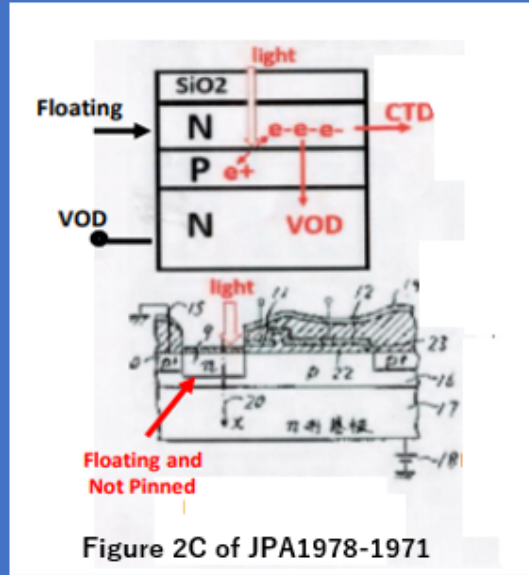
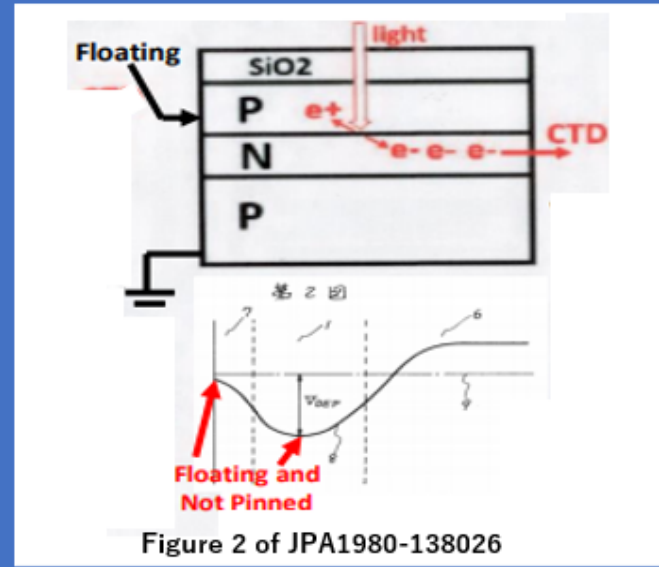


Story of Pinned Photodiode

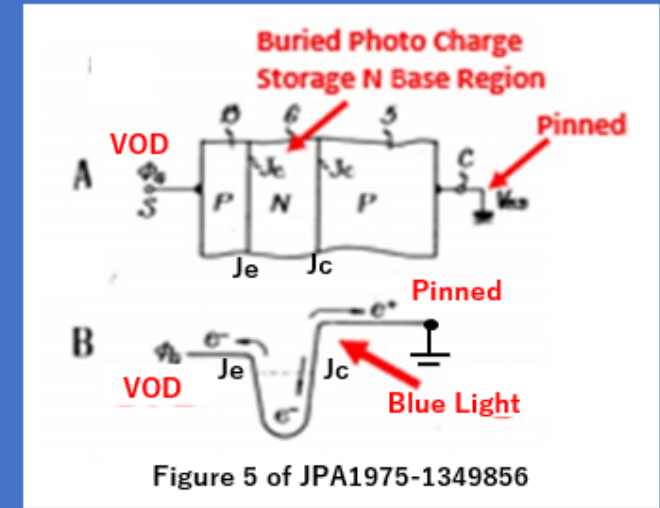
(A) Toshiba VOD 1978



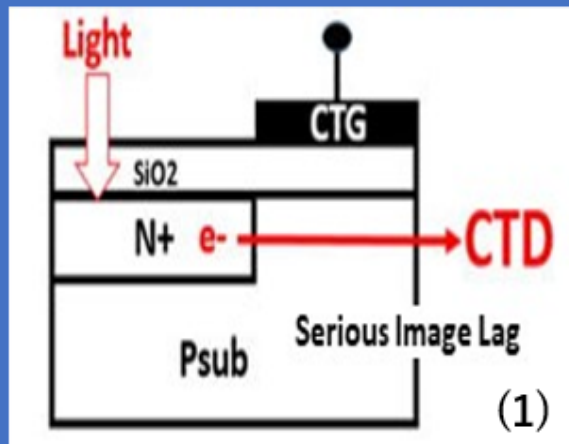
(B) NEC Buried Photodiode Patent JPA1980-138026



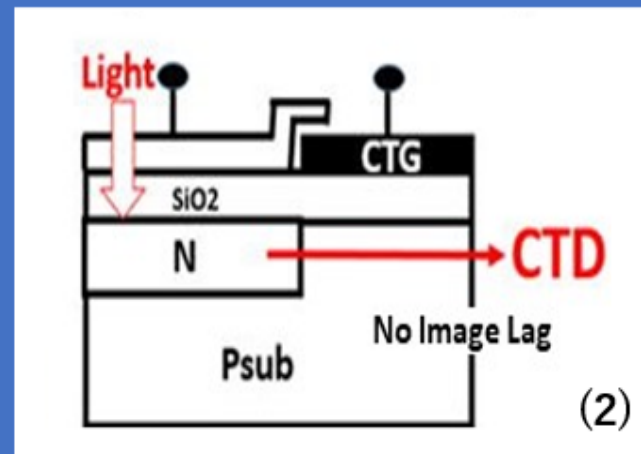
(C) Sony Pinned Buried Photodiode in 1975 with the in-Pixel VOD function and Complete Charge Transfer, Excellent Blue Light Sensitivity and No-Image-Lag Features.



(1) Serious Image Lag Problem Single Junction Photodiode before 1970



(2) CCD type Dynamic Photo MOS Capacitor invented in 1970



(3) JPA 1975-134985 by Hagiwara in 1975

