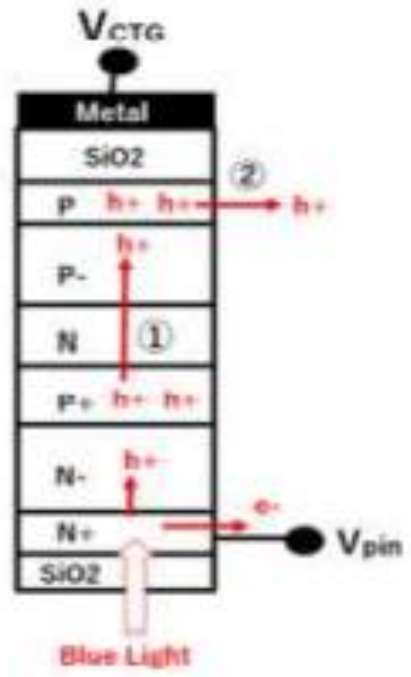
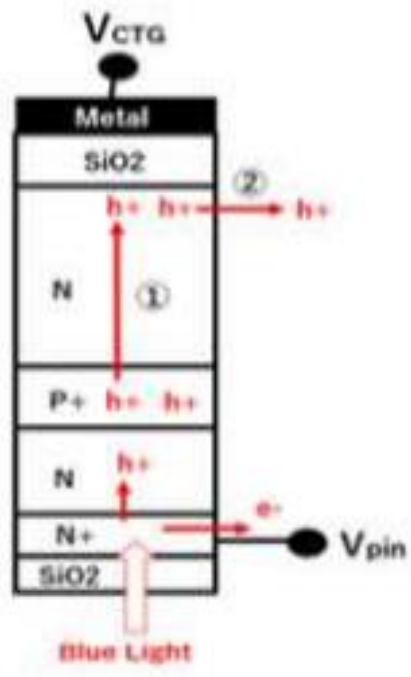


III. ORIGIN OF PINNED BURIED PHOTODIODE

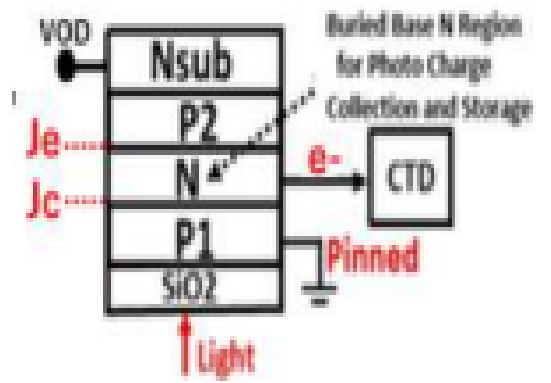
(1) JPA1975-127646



(2) JPA1975-127647



(3) JPA1975-134985



Yoshiaki Hagiwara at Sony in 1975 applied three Japanese patents on Pinned Buried Photodiodes [3,5,6]. However, USP and other overseas patents were never applied and the details of his 1975 inventions were never disclosed in the IEEE English speaking community. The original patent claims and the original figures drawn in these three 1975 Japanese patent applications are now reproduced here for the first time in the IEEE English speaking community.

[3] http://www.aiplab.com/JPA_1975_134985_on_PPD_with_VOD.html
 [5] http://www.aiplab.com/JPA_1975_127646_on_NPN_type_PPD.html
 [6] http://www.aiplab.com/JPA_1975_127647_on_NPN_type_PPD.html