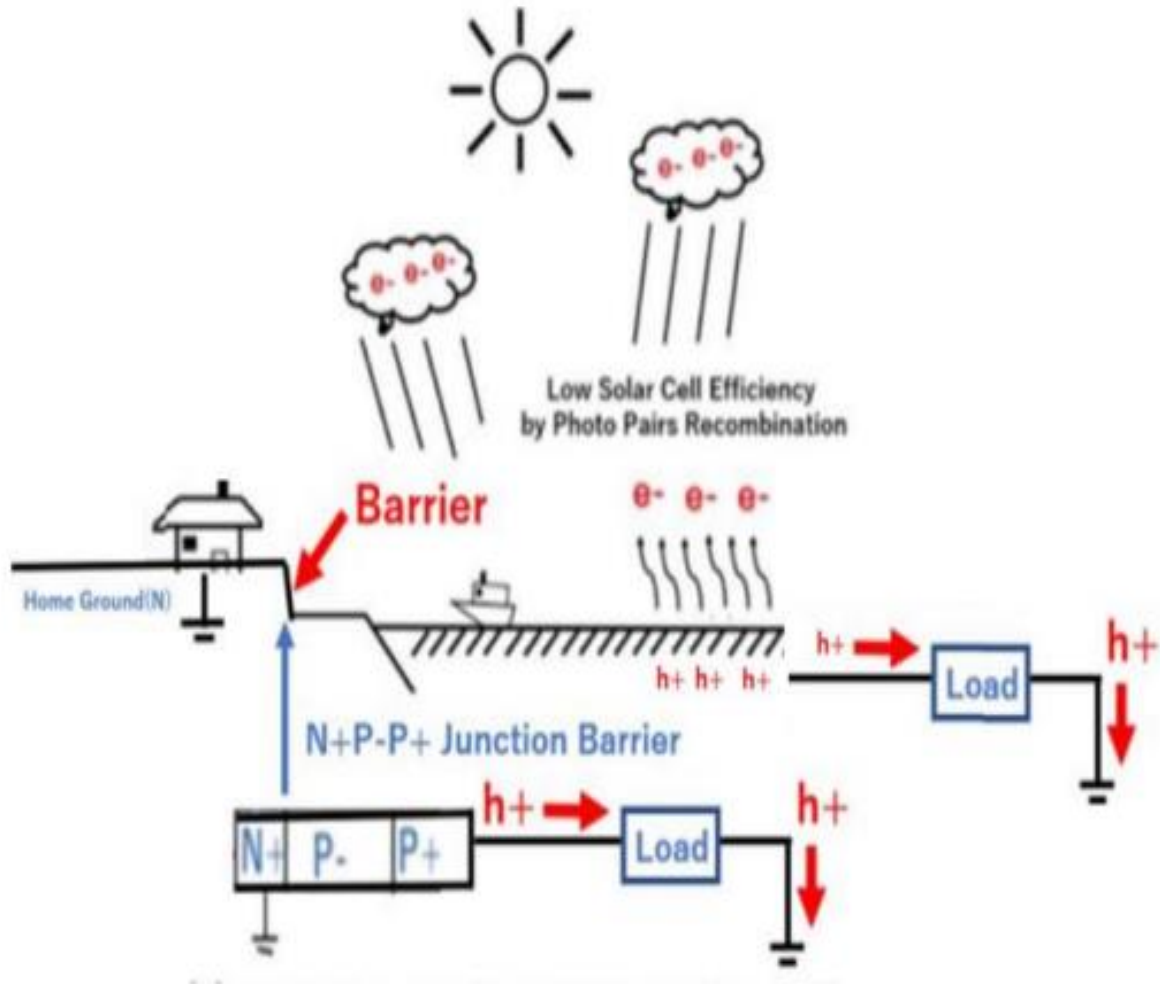
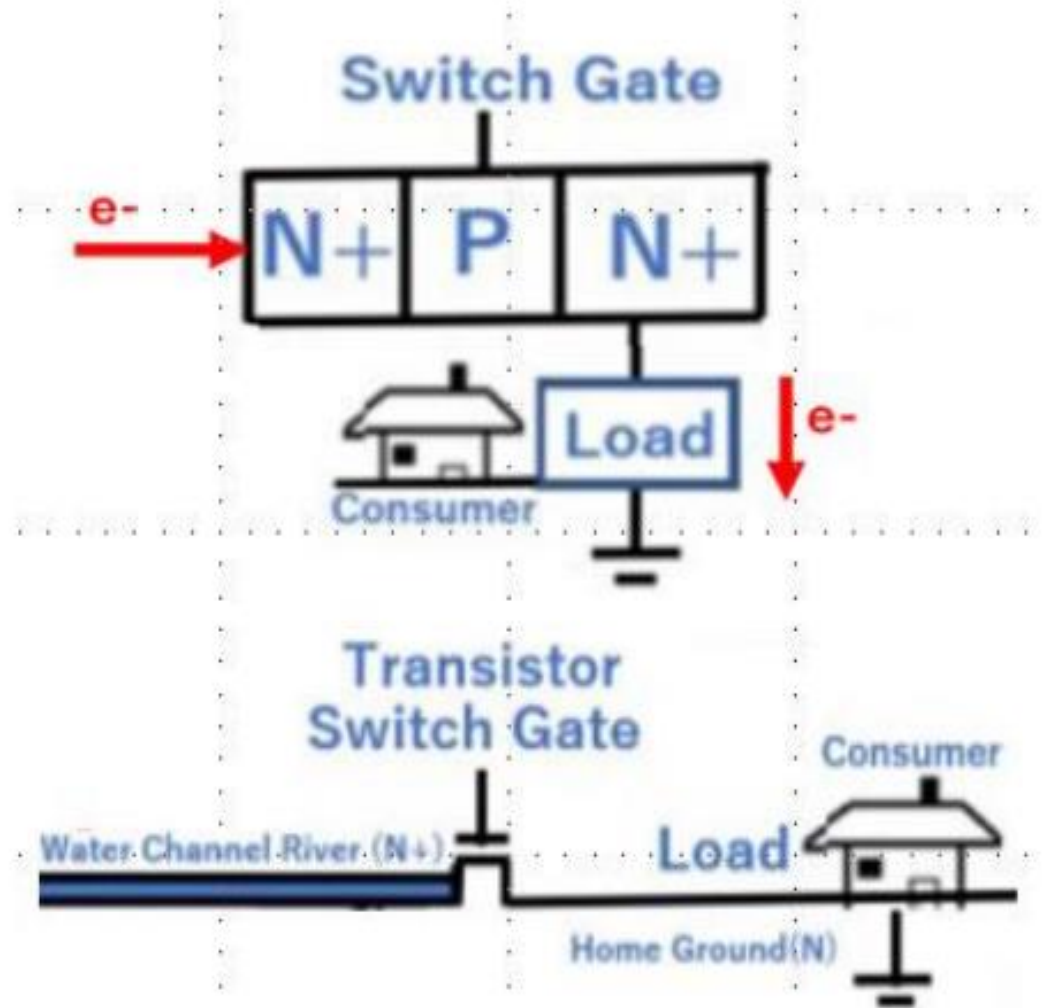


(1) N+P-P+ Single Junction Solar Cell



(2) N+PN Transistor



(1) NP Junction and High Land Hill Analogy (2) NPN Junction Bipolar Transistor and Water Gate Analogy